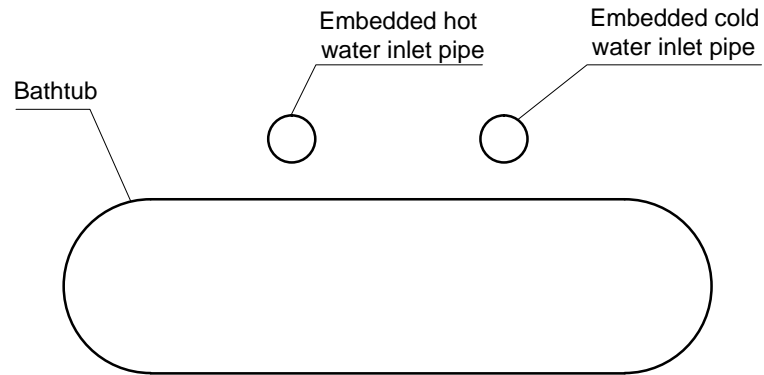
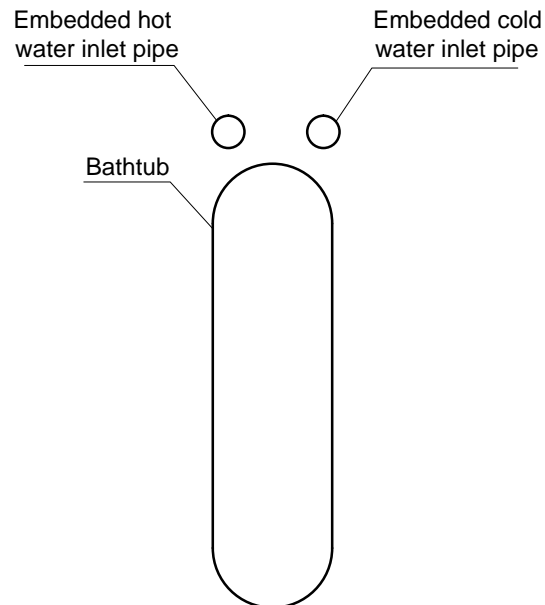


c) Bathtub placement style

First style: Bath tap parallel with bathtub



Second style: Bath tap vertical with bathtub

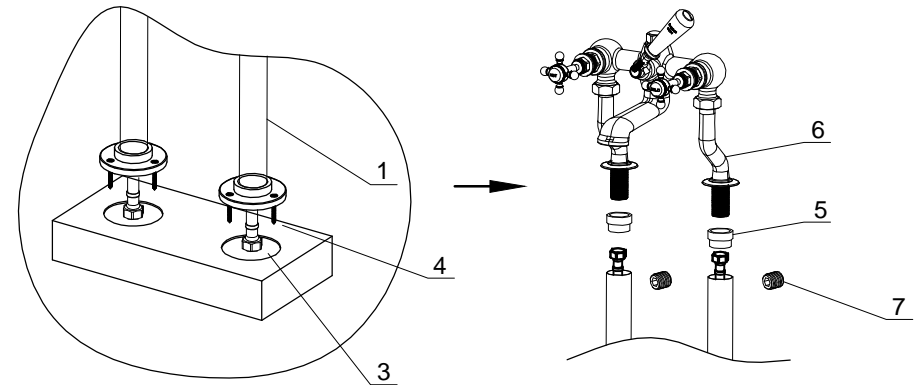


2. Install the tap

Connect flexible hoses (NO.3) with hot and cold water inlet pipes, then pass the flexible hoses (NO.3) through the stand pipe (NO.1), use Phillips screwdriver to tighten the screws (NO.4) to fix the stand pipe (NO.1).

Unscrew the screw (NO.7) by S2.5 Allen key, remove the connectors (NO.5) from the stand pipes (NO.1), install the connectors (NO.5) on the legs (NO.6), screw to the end, then connect the flexible hoses (NO.3) with the legs (NO.6).

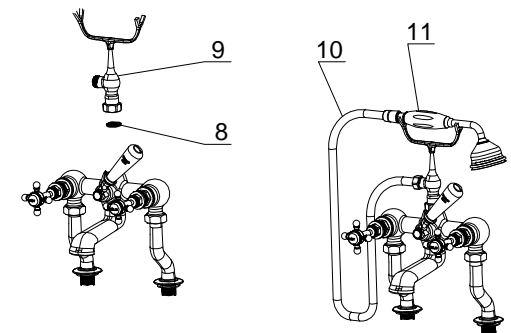
Insert the legs (NO.6) into the stand pipes (NO.1), tighten the screw (NO.7) by S2.5 Allen key. Fix the tap.



3. Install shower handset

Place rubber washer (NO.8) in the nut of the bracket (NO.9), then screw the bracket (NO.9) to the tap.

Connect hex nut of shower hose (NO.10) with bracket (NO.9), connect another side of shower hose (NO.10) with handset (NO.11). Then place the handset (NO.11) on the bracket (NO.9)



4. Check leakage after installation

After the installation is completed, turn on the water supply valves and check all joints & connections for leakage.